

Custom folded 1.2mm aluminium flashing powder coated to match cladding and chased in to 15x6mm saw cut and sealed with flexible joint sealant (By others)

BF001
Alibat fixed to concrete masonry @ 600 centers max

NC138 + NC139
Termination flashing base and cap.

NC 204
10g x 16mm csk Tek screw @ 600 centers through anti-crush buttons

NC 220
15x15mm closed-cell foam insert

Concrete masonry block wall

Concrete masonry fasteners

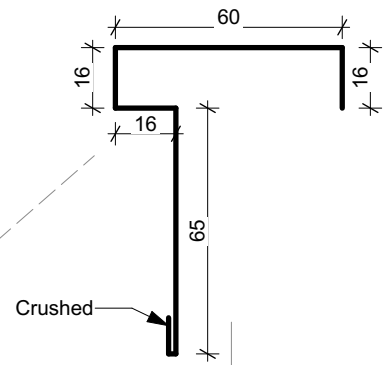
Cut / ripped board

NC226
Impervious barrier (MDPE or similar) between batten & cladding

NC204
10g ss csk screws with 30mm min embedment

NC203E
fixing clip @ 600 centers

Drained and vented cavity as per E2/AS1



Direction of installation →

30min

General note:

- Cladding fixings omitted for clarity
- When finishing a wall with a ripped board, the board must be direct fixed with a counter sunk screw @ 600mm centres

Cavity batten note:

- 20mm single castellated timber battens required for all Nu-Wall installations.
- Batten to have 15° slope for moisture egress
- 18mm single castellated battens are available from Nu Wall for all vertical applications to wall junctions and jambs
- Proprietary Nu-Wall Alibat is available as an alternative when a structural non-combustable cavity batten is required



Nu-Wall cladding vertical on cavity
Typical Nu-Wall to concrete masonry external corner

NW-VOC-038.01

Drawn by: Nu-Wall	Date: 14/03/2022
Checked by: RL, GT	Scale: 1:2 @ A4

© 2021 copyright in this document is the property of Nu-Wall Aluminium Cladding Limited. All rights reserved. Nu-Wall is a registered trademark of Aluminium Product Brands NZ Limited